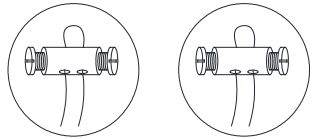
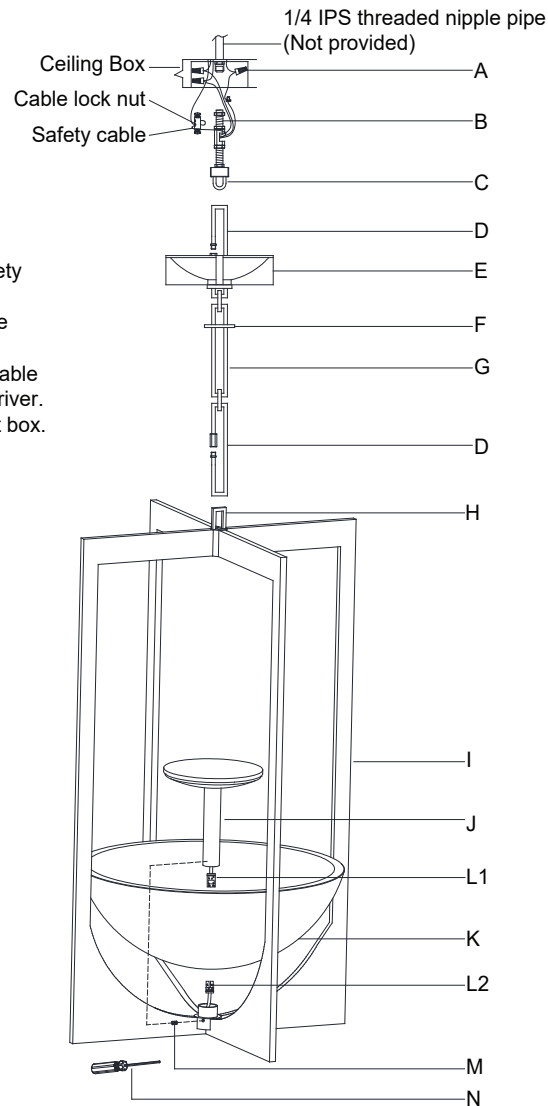


ASSEMBLY INSTRUCTIONS



TO assemble safety cables:

1. Join fixture safety cables with safety cable from ceiling.
2. Wrap both safety cable around the cable lock nut.
3. Insert screws into both holes on cable lock nut, secure screws with screwdriver.
4. Push the cable lock nut into outlet box.



Michaela Large Chandelier

Item # RL 5773

NOTICE:

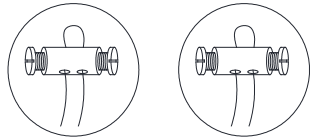
This light fixture should be installed in accordance with all applicable, local installation codes, and by a person familiar with the construction and operation of it, as well as the hazards involved. Inspect item and contents carefully. If any damage or defect is found, do not install. Retain all packaging material until installation is complete and approved.

1. Carefully remove all parts from the box.
2. Place the fixture (I) on a clear flat surface, then install the alabaster shade (K) in the center of the frame.
3. Connect the quick connector (L1 & L2) together, then put the stem of LED module (J) to the bottom of the fixture frame (I) and secure with the set screw (M) by using the screwdriver (N).
4. Remove the collar loop (C) from the chain (G) by unscrewing the quick link (D).
5. A 1/4 IPS pipe must be installed through the junction box and secured to a structural member of the building. This item must hang independently of the junction box. Then install the threaded nipple (B) into the 1/4 IPS PIPE.
6. Install the canopy (E) to the collar loop (C) and secure with the collar ring (F). If needed, adjust canopy height by loosening hex nuts and screwing collar loop (C) up or down then re-secure.
7. With the fixture desired height, shorten the chain (G) as needed using the chain pliers (not provided).
8. Open the chain quick link (D), then attach the chain quick link (D) to the collar loop (C). Secure the chain quick link (D).
9. Open the chain quick link (D) from the opposite side then attach to the fixture top loop (H). Secure the chain quick link (D).
10. Weave the fixture wires and safety cable through the chain (G).
11. When you reach the canopy and collar loop (C), measure the wires then cut, be certain to leave enough length to connect the wires in the junction box.

RALPH LAUREN

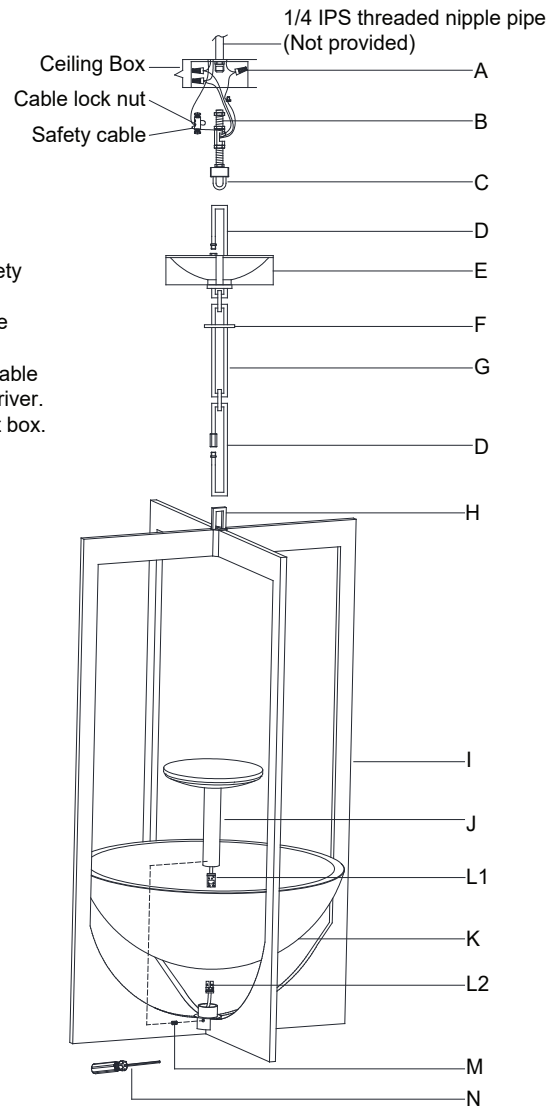


ASSEMBLY INSTRUCTIONS



TO assemble safety cables:

1. Join fixture safety cables with safety cable from ceiling.
2. Wrap both safety cable around the cable lock nut.
3. Insert screws into both holes on cable lock nut, secure screws with screwdriver.
4. Push the cable lock nut into outlet box.



Michaela Large Chandelier

Item # RL 5773

NOTICE:

This light fixture should be installed in accordance with all applicable, local installation codes, and by a person familiar with the construction and operation of it, as well as the hazards involved. Inspect item and contents carefully. If any damage or defect is found, do not install. Retain all packaging material until installation is complete and approved.

12. Strip the insulation on the fixture wires about 5/8".
13. Loosen the collar ring (F) and let the canopy (E) slip down the chain (G) carefully.
14. Twist the fixture wires and safety cable together and push through the center hole of the collar loop (C).
15. Run safety cable through junction box and install to structural member of the building. Secure using cable lock nut as shown in figure.
16. Connect the fixture ground wire to the ground wire in the junction box using the wire nut (A).
IT IS IMPERATIVE THAT THIS FIXTURE BE GROUNDED.
17. Connect the fixture ribbed wire (no markings) to the neutral wire in the junction box using the wire nut (A).
18. Connect the fixture smooth wire (with markings) to the hot wire in the junction box using the wire nut (A).
DO NOT REVERSE THE HOT AND NEUTRAL CONNECTIONS OTHERWISE SAFETY WILL BE COMPROMISED.
19. Carefully tuck the wire connections into the junction box.
20. Install the canopy (E) to the collar loop (C) and secure with collar ring (F).
21. Installation is complete, turn on power at fuse or circuit breaker.

Care Instructions: Clean only with a soft dry cloth or feather duster. Do not use abrasive or chemical agents.

RALPH LAUREN

