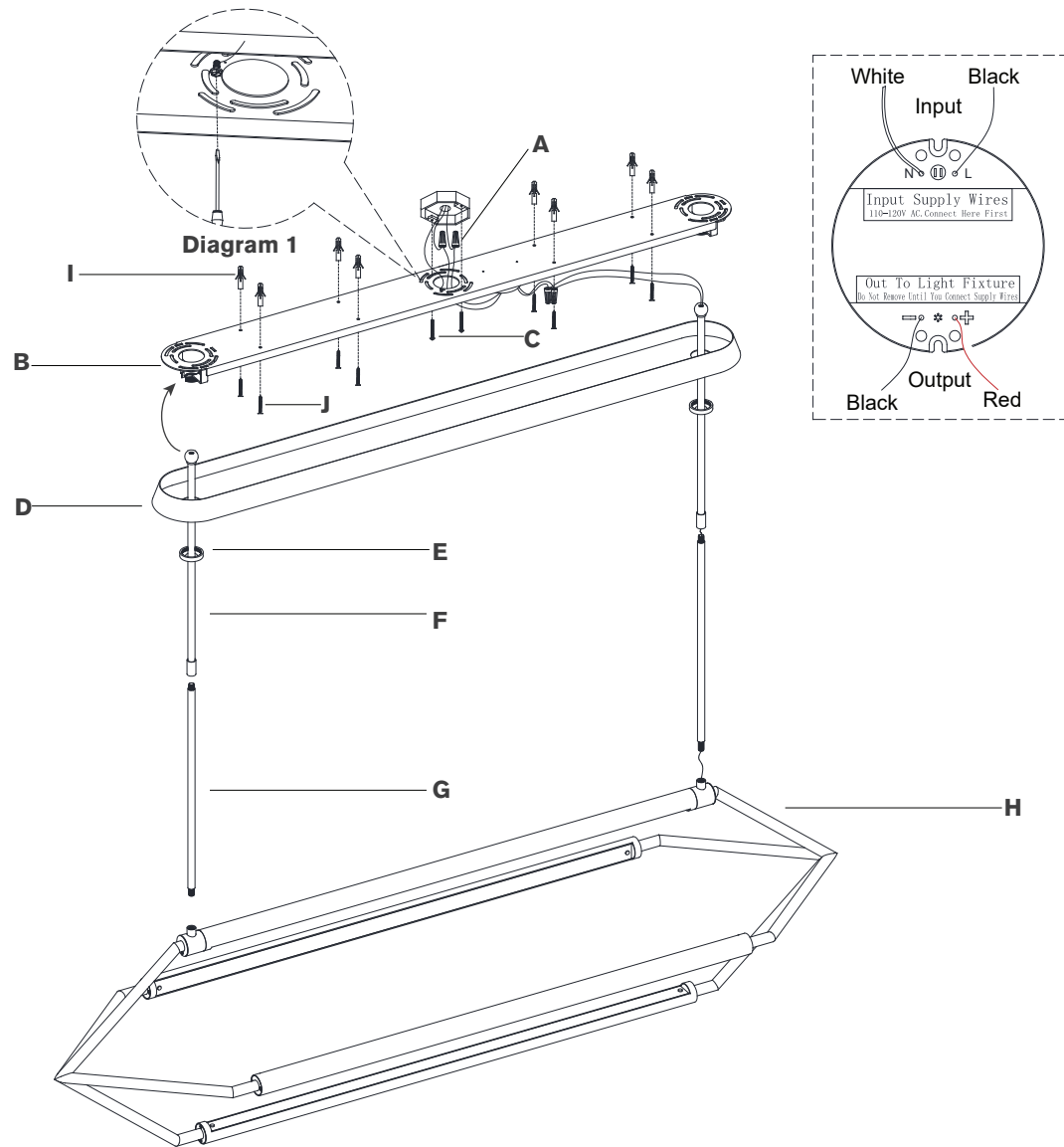


ASSEMBLY INSTRUCTIONS



Appareil Large Linear Lantern

Item # KW 5705

NOTICE:

This light fixture should be installed in accordance with all applicable, local installation codes, and by a person familiar with the construction and operation of it, as well as the hazards involved. Inspect item and contents carefully. If any damage or defect is found, do not install. Retain all packaging material until installation is complete and approved.

TOOLS REQUIRED (NOT INCLUDED):

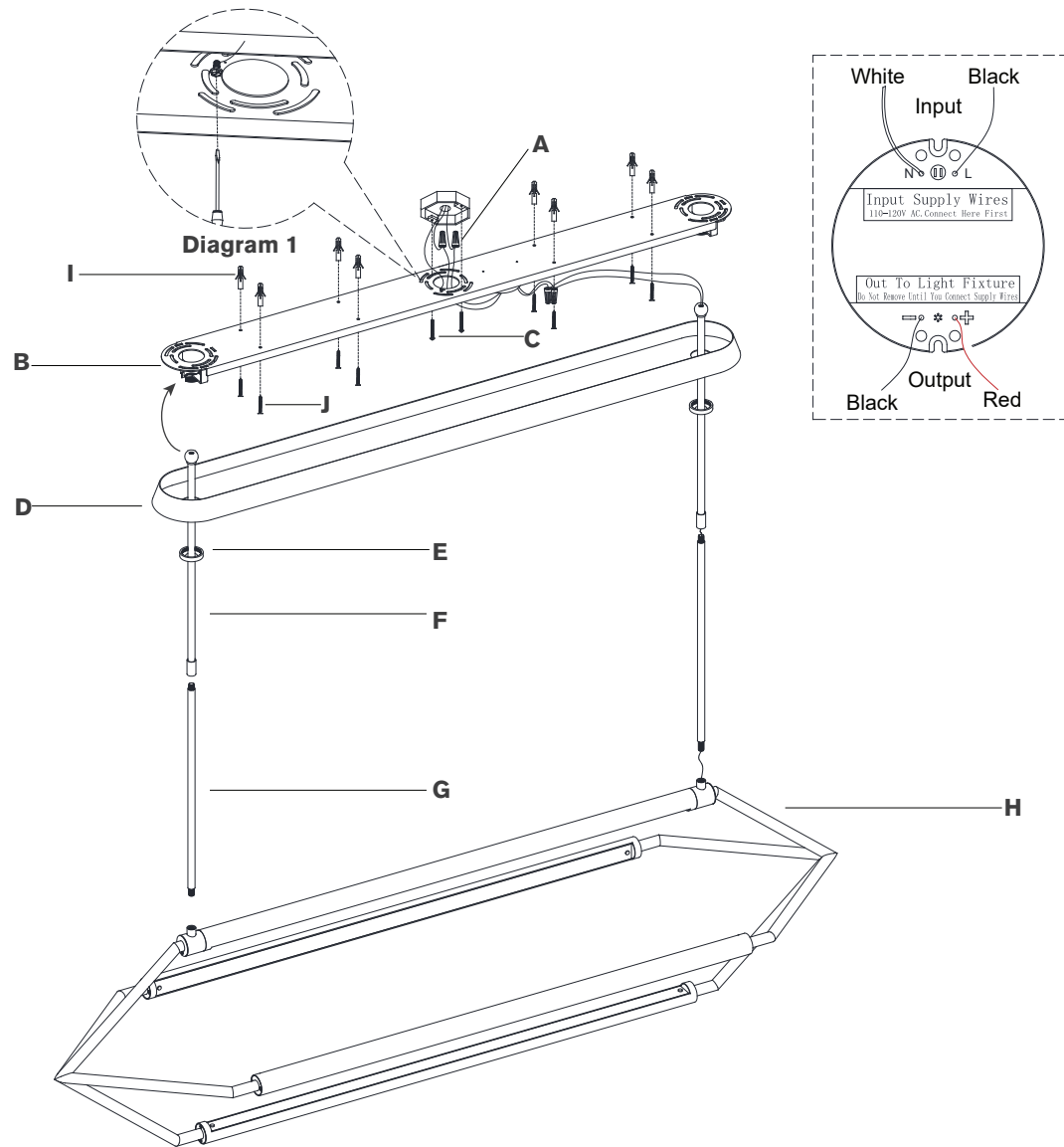
Phillips Screwdriver	Slotted Screwdriver	Wire Cutters
Wire Strippers	Pencil	Hammer
Drill		

PERSONS REQUIRED: Two

1. Carefully remove all parts from the box. Place on a clean, soft surface.
2. Using the mounting plate (**B**) as a guide, line up with the junction box and mark anchor positions.
3. Using a drill bit slightly smaller than the anchor, drill holes in the marked positions. Install anchors (**I**) into the holes using hammer.
4. Install mounting plate (**B**) to the junction box and secure with mounting screws (**C**), then secure wood screws (**J**) to anchors (**I**).
NOTE: It is recommended to have a helper assist in supporting the fixture in steps 5-8.
5. Feed electrical wires through bottom rod (**G**) and connect to fixture body (**H**). Connect bottom rod to fixture on opposite side of electrical.
6. Continue feeding wires through collar ring (**E**), canopy (**D**) and top rod (**F**).
7. Holding fixture upright, slide collar rings (**E**) and canopy (**D**) down bottom rods (**G**) and rest on fixture body (**H**). Then connect top rods (**F**) to bottom rods (**G**).

NOTE: Slide components down slowly to avoid damages.

ASSEMBLY INSTRUCTIONS



Appareil Large Linear Lantern

Item # KW 5705

NOTICE:

This light fixture should be installed in accordance with all applicable, local installation codes, and by a person familiar with the construction and operation of it, as well as the hazards involved. Inspect item and contents carefully. If any damage or defect is found, do not install. Retain all packaging material until installation is complete and approved.

8. Hang fixture rods to fan mounts on both sides of mounting plate **(B)**.
9. Connect supply ground wire (usually green or bare copper) around the green grounding screw (see diagram 1). Tighten.

NOTE: It is imperative that the fixture is grounded.

10. Cut excess black and red wires, being sure to leave enough wire to reach the LED driver.

NOTE: Strip insulation on wires back 5/8" each to prepare for electrical connection.

11. Connect fixture neutral wire (black) to the driver output neutral wire (black) using wire nut **(A)**.
12. Connect fixture hot wire (red) to the driver output hot wire (red) using wire nut **(A)**.
13. Connect driver input neutral wire (white) to the supply neutral wire (usually white) using wire nut **(A)**.
14. Connect the driver input hot wire (black) to the supply hot wire (usually black) using wire nut **(A)**.

CAUTION: Do not reverse the hot and neutral connections.

15. Make sure all wire connections are tight, then carefully tuck into the junction box.
16. Install canopy **(D)** to mounting plate **(B)** by securing with collar ring **(F)**.

Care Instructions: Clean only with a soft dry cloth or feather duster. Do not use abrasive or chemical agents.