

# MR16 / GU5.3

## 3.0W - 60°

### AMBER

#### SPECIFICATIONS & TECHNICAL DATA

EmeryAllen Turtle Bulbs are approved for use in areas requiring artificial lighting adjacent to ecologically sensitive areas, sea turtle nesting beaches, migratory corridors, and dark sky friendly communities.

Turtle Bulb LEDs have an amber color for safer illumination. Per the Florida Wildlife Commission, bulbs must be installed in a shielded or downward directed location that shield the light source from being directly or indirectly visible from the nesting beach.

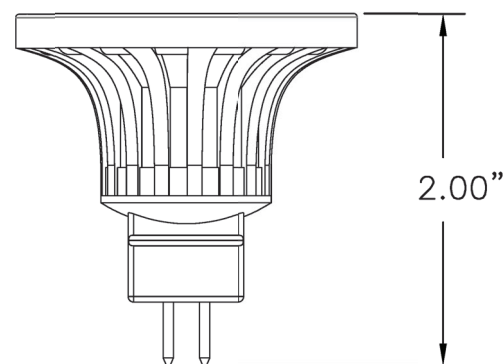
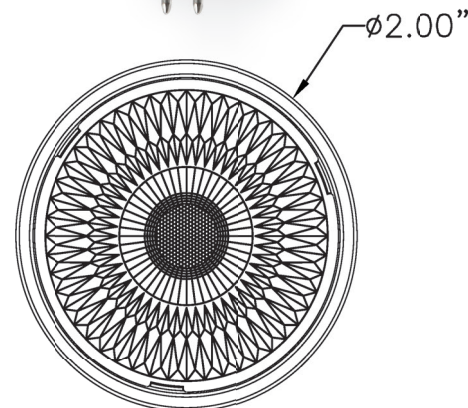
<b>Base Type</b>	GU5.3
<b>Material</b>	Ceramic + PC
<b>Input Voltage</b>	12V AC
<b>Wattage</b>	3.0
<b>Color</b>	Amber
<b>Brightness</b>	29 lumens
<b>Lumens/Watt</b>	9.6
<b>Color Temperature</b>	560nm Wavelength
<b>Beam Angle</b>	60 degrees
<b>Life</b>	25,000 hours
<b>Warranty</b>	Limited Lifetime*

#### Available Models:

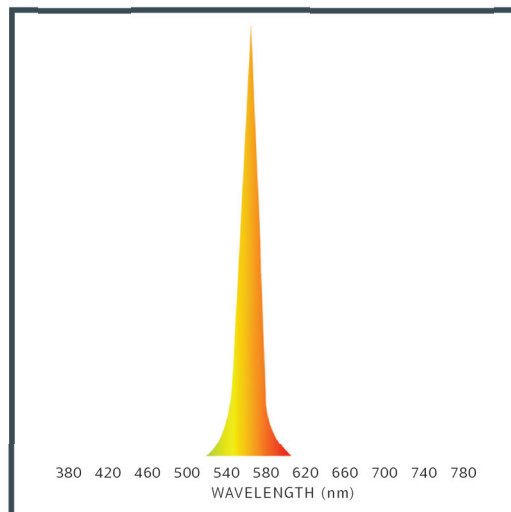
- EA-MR16-3.0W-60D-AMB

#### Dimming:

- Non-dimmable.
- Suitable for on/off applications only.



#### SPECTRAL DISTRIBUTION



12V  
SERIES