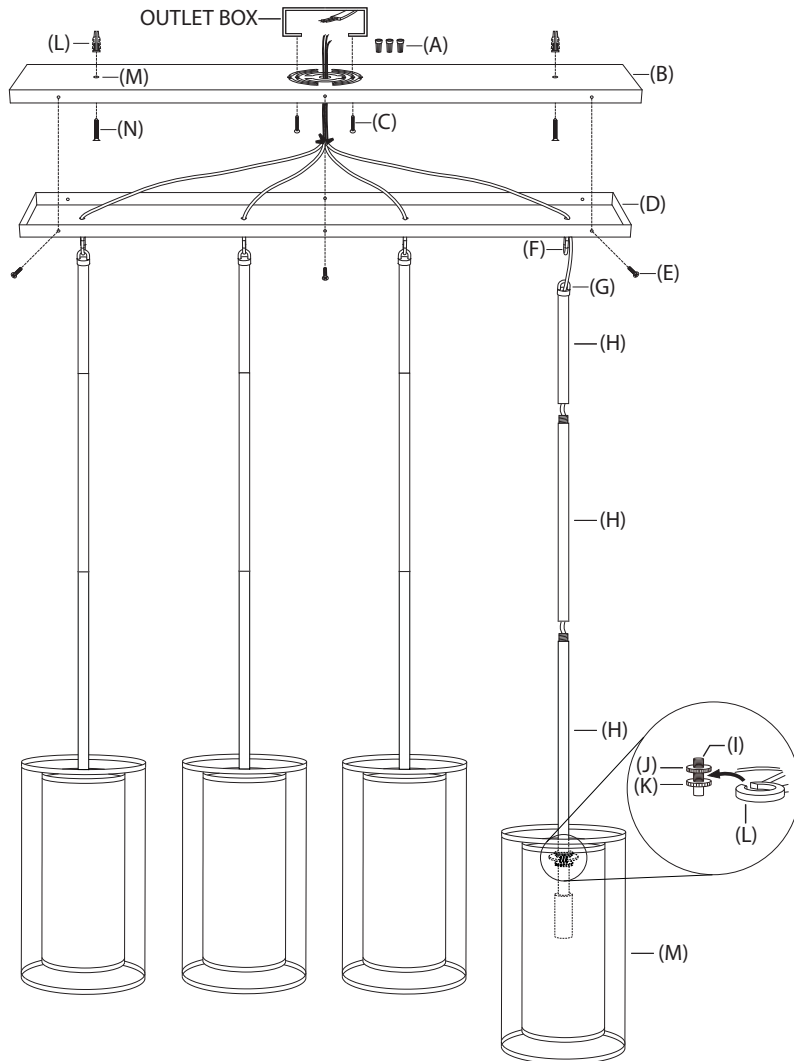


# ASSEMBLY INSTRUCTIONS FOR YOUR SATURNIA LINEAR PENDANT

## IMPORTANT SAFETY INSTRUCTIONS:

- \* These instructions are provided for your safety. It is very important that they are read completely before beginning the installation of your fixture.
- \* **WE STRONGLY RECOMMEND INSTALLATION BY A LICENSED ELECTRICIAN.**
- \* Turn off power at switch before replacing bulb, making sure fixture has had sufficient time to cool down.



## ASSEMBLY INSTRUCTIONS:

1. SHUT OFF THE MAIN ELECTRICAL SUPPLY AT FUSE BOX/ CIRCUIT BREAKER.
2. Remove all parts from carton. Remove mounting plate (B) from canopy (D) by removing canopy screws (E). Set canopy screws (E) aside.
3. Lift the mounting plate (B) to the ceiling outlet box. Once aligned, use a pencil to mark the locations of mounting holes (M) on the outside edges of the mounting plate.
4. Set the mounting plate aside and drill small holes at the marked locations. Holes should be sized so anchors (L) fit securely inside.
5. Push anchors (L) into the holes. Attach mounting plate (B) to ceiling outlet box using screws (C). Thread screws (N) through holes (M) and into wall anchors (L) to secure mounting plate to the ceiling.
6. Measure desired drop for fixture to hang and add/remove extension tubes (H) as needed. Guide wiring through extension tubes before threading tubes together.
- \*\*TO ADD/REMOVE EXTENSIONS: (Un)Thread the threaded nipple of one extension into/out of the threaded opening of the next extension. Make sure electrical cord is pulled tight when threading extensions together to prevent damage to the wiring.
7. Thread lowest extension tube (H) onto threaded tube (I). Place quick link (F) through loop (G) to attach extensions to canopy. Repeat steps for remaining sets of extensions.
8. Lift canopy (D) to mounting plate (B) and make proper electrical connections. **A licensed electrician is recommended.**
9. Attach ground wire from fixture (green or silver in color) to ground wire from outlet box. Fasten wires together with wire nut (A) and tightly wrap connection with electrical tape.
10. Attach hot wire from fixture (black in color or smooth side of wire) to hot wire from outlet box. Fasten wires together with wire nut (A) and tightly wrap connection with electrical tape.
11. Attach neutral wire from fixture (white in color or ribbed side of wire) to neutral wire from outlet box. Fasten wires together with wire nut (A) and tightly wrap connection with electrical tape.
12. Carefully push wire connections back into ceiling outlet box. Place canopy (D) over mounting plate (B). Thread canopy screws (E) into holes in canopy (F) and mounting plate (B) to secure fixture to ceiling.
13. Place shade (M) over the socket. Slide split washer (L) between shade washer (J) and shade washer (K). Secure position of shade (M) by turning shade washer (J) clockwise until it rests firmly against split washer (L). Repeat step for remaining shades.
14. Install four 60W MAX Type B, medium base bulbs into the sockets.
15. Reconnect main electrical supply from the fuse box/ circuit breaker and test the fixture.

\*\*\*To clean, use soft cloth only. Do not use any chemical or abrasive cleaners.\*\*\*