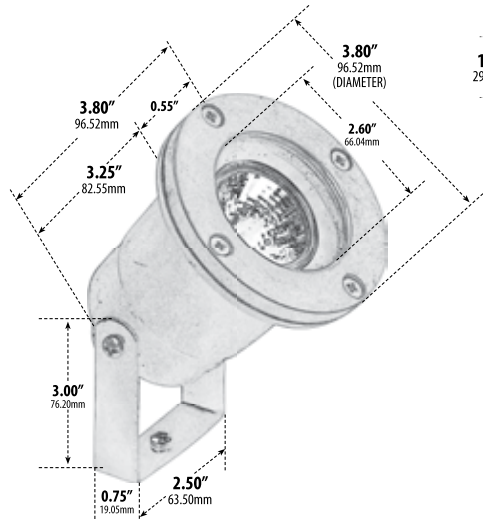


FG408

DIRECTIONAL SPOT LIGHT



**P-SND-01
TREE STAND**
(Sold Separately)

- ▶ **Material:** Fiberglass
- ▶ **Lens:** Clear, Heat Resistant, Tempered Glass
- ▶ **Lamp:** MR16 Bi-Pin Base (20W Maximum)

MODEL NUMBER	LAMP TYPE	ILLUMINANT TYPE	WATTS (W)	VOLTS (V)	LAMP(S) INCLUDED?
FG408	MR16	HALOGEN	20	12	YES
FG-LED408	MR16-LED	3 LEDs	3	12	YES

Pre-wired with UL Listed Direct Burial Wire/Cable

- ▶ **Adjustable U-Shaped Bracket with Ground Spike**
- ▶ **P-SND-01 Tree Stand** (sold separately)
- ▶ **Connector Available:** P-CN01 (sold separately)
- ▶ **Available Color:** Bronze
- ▶ **ETL Approved**

Overall Dimensions: 6.75"H x 3.80"W x 4.50"D

Maximum Height: 6.75"

Minimum Height: 4.50"

Width: 3.80"

Maximum Depth: 4.75"

Minimum Depth: 4.25"

Weight: 0.80 lbs

Approximate Wire Length: 15"

Box Dimensions: 4.00"W x 7.00"H x 4.00"D

DABMAR
LIGHTING

DABMAR LIGHTING INCORPORATED

2140 Eastman Ave . Oxnard, CA 93030 . 805.604.9090 . f: 805.604.9050 . www.dabmar.com