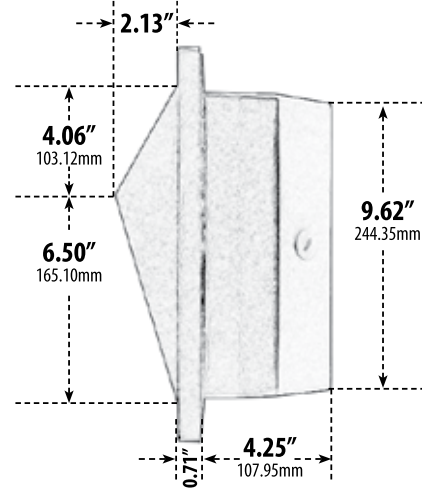
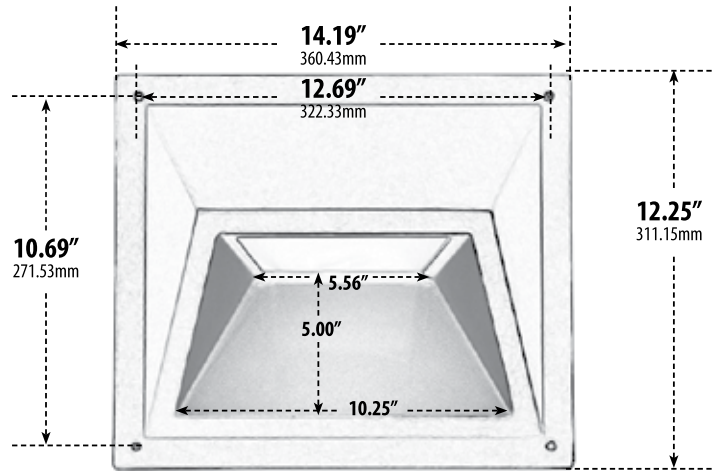


# DSL1115

## RECESSED BRICK, STEP AND WALL LIGHT



- ▶ **Material:** Powder Coated Cast Aluminum
- ▶ **Lens:** Clear, Heat Resistant, Tempered Glass

MODEL NUMBER	LAMP TYPE	ILLUMINANT TYPE	WATTS (W)	VOLTS (V)	LAMP(S) INCLUDED?
DSL1115	MH/DE	HID	70	120	YES
DSL1116	MH/DE	HID	150	120	YES
DSL1117	S26-GU24	FLUORESCENT	26	120	YES
DSL1115-LED	G24-LED	60 LEDs	11	120-277	YES

- ▶ **Available Finish:** Black, Bronze, Verde Green
- ▶ **Recessed Mount**
- ▶ **ETL Approved**

Overall Dimensions:  
12.25"H x 14.19"W x 7.09"D

Weight: 13.60 lbs (DSL1115)  
17.60 lbs (DSL1116)

Box Dimensions: 8.31"H x 15.0"W x 12.88"D

**DABMAR**  
LIGHTING

DABMAR LIGHTING INCORPORATED

2140 Eastman Ave . Oxnard, CA 93030 . 805.604.9090 . f: 805.604.9050 . www.dabmar.com